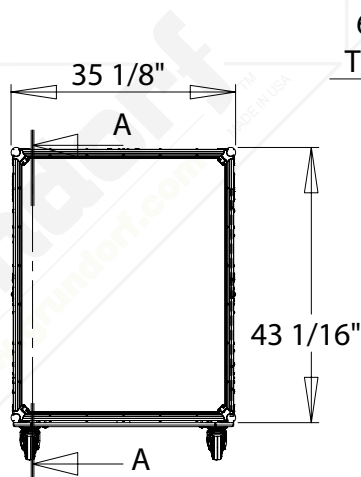
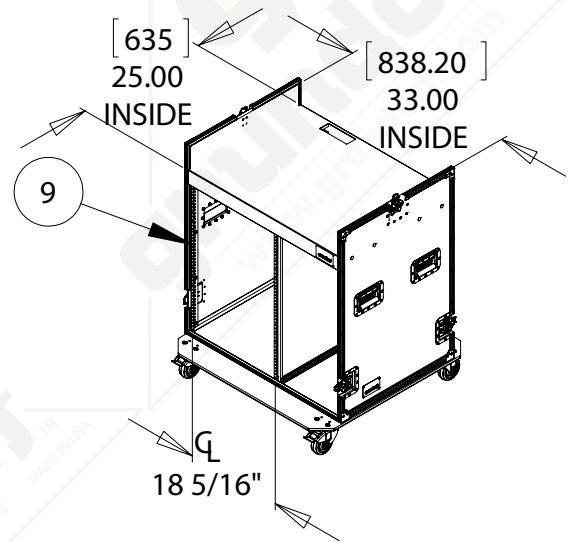
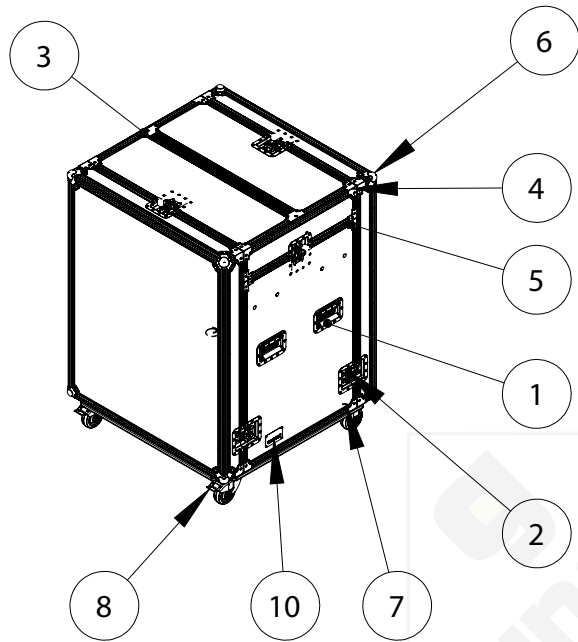
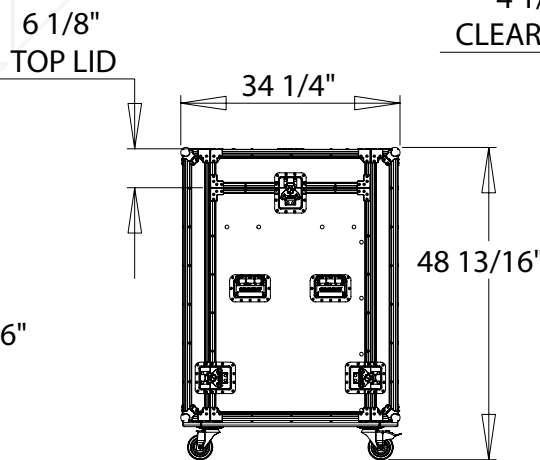


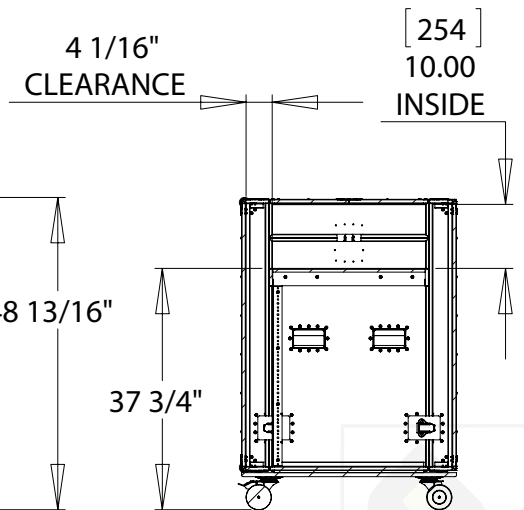
#	QTY.	PART NUMBER	DESCRIPTION
1	4	31-005	HANDLE - RECESSED/LOGO/ZINC
2	8	34-014	CATCH - RECESSED LARGE W/OFFSET/ZINC
3	2	35-009	JOINER BRACE - LARGE OFFSET - ZINC
4	16	35-008	CLAMP - LARGE/OFFSET
5	8	35-010	CLAMP - L-JOINER - ZINC
6	8	32-008	CORNER-BALL/ZINC
7	2	37-030	CASTER - 4" SWIVEL, LARGE
8	2	37-031	CASTER - 4" SWIVEL, LARGE WITH BRAKE
9	2	41-016	RACK RAIL-16 SPACE
10	2	83-008	BADGE - GRUNDORF



FRONT VIEW



SIDE VIEW



SECTION A-A